

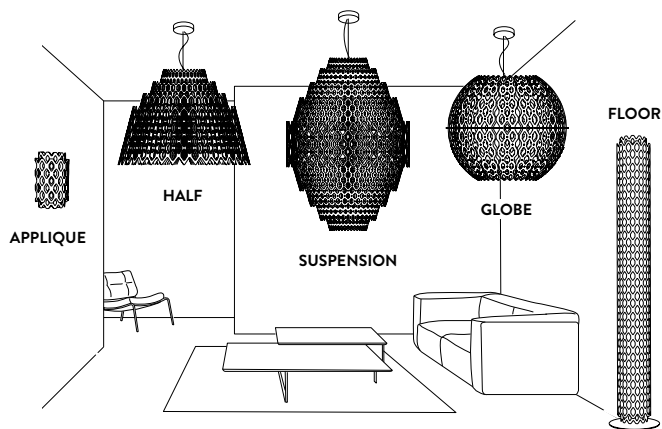
CHARLOTTE FLOOR

by Doriana and Massimiliano Fuksas

Compendium page 356

PRODUCT	SIZE	COLOUR	CODE
<p>FLOOR</p> <p>Bulbs E27:</p> <p>2 X 12W LED Dimmable</p> <p>Made of: Cristlaflex® / Lentiflex®</p> <p>With: Dimmer</p> <p>Weight: net Kg 5,2 - gross Kg 11</p> <p>Package: A: 37 x 36 x h. 188 cm - 7 kg B: 47 x 47 x h. 7 cm - 4 kg</p>		<input type="checkbox"/> WHITE	CHR88PST2B00W_000
<p>FLOOR</p> <p>LED : 26W - 100 ~ 240V - 2.600 Lumen</p> <p>3000 Kelvin (warm white) - CRI > 90</p> <p>Made of: Cristlaflex® / Lentiflex®</p> <p>With: Dimmer</p> <p>Weight: net Kg 5,2 - gross Kg 11</p> <p>Package: A: 37 x 36 x h. 188 cm - 7 kg B: 47 x 47 x h. 7 cm - 4 kg</p> <p>CB REPORT AVAILABLE</p>		<input type="checkbox"/> WHITE	CHR88PST0000W_000

CHARLOTTE ENTIRE COLLECTION



CERTIFICATION

CE IP 20

ENERGY CLASS: A / A+ / A++

ENERGY LABEL AVAILABLE ON SLAMP'S WEBSITE

FINISHES

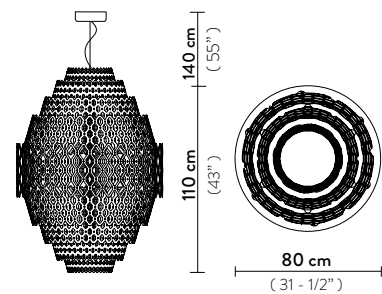
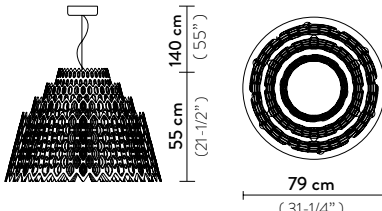

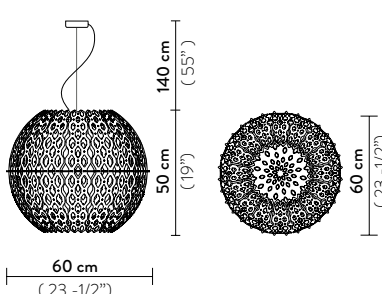
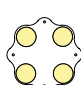
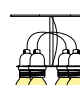


WHITE

CHARLOTTE

by Doriana and Massimiliano Fuksas

Compendium page 168/54/50/304

PRODUCT	SIZE	COLOUR	CODE
SUSPENSION LED: 140W - 220V - 14.000 Lumen 2700 Kelvin (warm white) - CRI > 90 Triac Dimmable (Trailing Edge min. 20W) Made of: Cristalflex® / Lentiflex® Weight: net Kg 20 - gross Kg 22,5 Package: 95 x 95 x h. 120 cm		<input checked="" type="checkbox"/> ORANGE	CHR88SOS0004A_000
		<input checked="" type="checkbox"/> BLUE	CHR88SOS0004B_000
		<input type="checkbox"/> WHITE	CHR88SOS0004W_000
SUSPENSION HALF LED: 70W - 220V - 7.000 Lumen 2700 Kelvin (warm white) - CRI > 90 Triac Dimmable (Trailing Edge min. 20W) Made of: Cristalflex® / Lentiflex® Weight: net Kg 10 - gross Kg 11,65 Package: 90 x 32 x h. 68 cm		<input type="checkbox"/> WHITE	CHR88SOS0003W_000
		<input type="checkbox"/> WHITE	CHR88SOS0003W_000
		<input type="checkbox"/> WHITE	CHR88SOS0003W_000
SUSPENSION GLOBE Bulbs E27:  4 X 12W LED Filament Dimmable with: Dimmable bulbs Made of: Cristalflex® / Lentiflex® With: MagneticSystem® Weight: net Kg 4 - gross Kg 8 Package: 72 x 72 x h. 64 cm	 <p>LIGHT SOURCE:</p>   <p>BOTTOM VIEW LATERAL VIEW</p>	<input type="checkbox"/> WHITE	CHR88SOSG000W_000
		<input type="checkbox"/> WHITE	CHR88SOSG000W_000
		<input type="checkbox"/> WHITE	CHR88SOSG000W_000

CANOPY DETAILS



CHARLOTTE

Ø 14 cm x h. 3 cm (Ø 5-1/2" x h. 1")
 6 m. cable kit also available for purchase after lamp order
Kit Cavi da 6m acquistabile anche successivamente
 Kit di installazione multipla su richiesta
Multiple installation kit on request



CHARLOTTE GLOBE

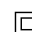

Ø 12 cm x h. 3,2 cm (Ø 4-3/4" x h. 1-1/4")
 6 m. cable kit also available for purchase after lamp order
Kit Cavi da 6m acquistabile anche successivamente
 Kit di installazione multipla su richiesta
Multiple installation kit on request



HALF CHARLOTTE


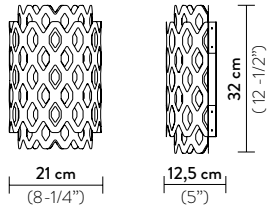
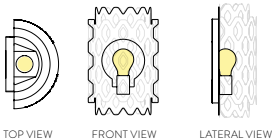
Ø 14 cm x h. 3 cm (Ø 5-1/2" x h. 1")
 6 m. cable kit also available for purchase after lamp order
Kit Cavi da 6m acquistabile anche successivamente
 Kit di installazione multipla su richiesta
Multiple installation kit on request

CERTIFICATION

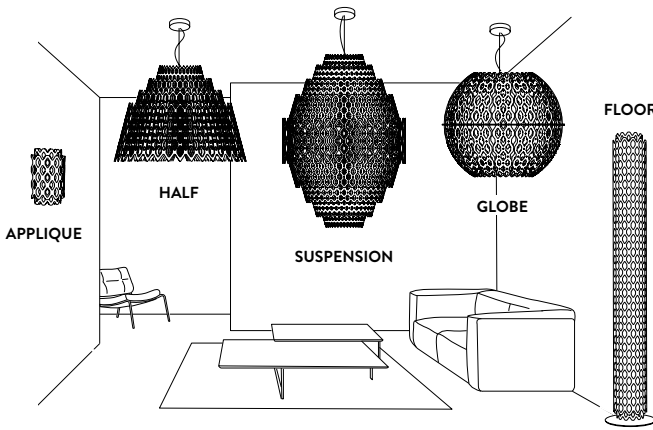
CE IP 20  

ENERGY CLASS: A / A+ / A++

ENERGY LABEL AVAILABLE ON SLAMP'S WEBSITE

PRODUCT	SIZE	COLOUR	CODE
<p>WALL LAMP</p> <p>Bulbs E27:</p> <p> 1X 12W LED Filament</p> <p>Dimmable with: Dimmable bulbs</p> <p>Made of: Cristalflex® / Lentiflex®</p> <p>With: Steelflex® Support</p> <p>Weight: net Kg 0,5 - gross Kg 1</p> <p>Package: 36 x 38 x h. 15 cm</p>	 <p>LIGHT SOURCE:</p> 	<input type="checkbox"/> WHITE	CHR88APP0000W_000

CHARLOTTE ENTIRE COLLECTION



FINISHES

